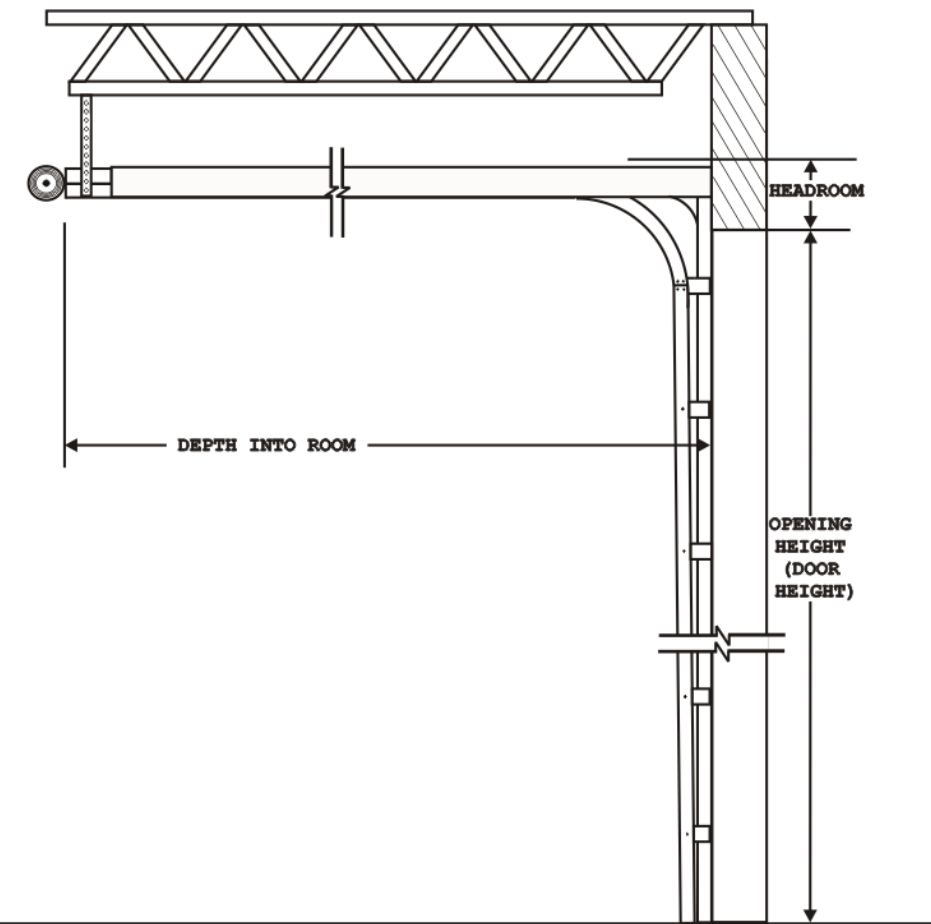



INTERIOR ELEVATION



SIDE VIEW OF TRACK

NOTES:

DWG #	DOOR NUMBER	QTY	OPENING SIZE		LIFT TYPE	TRACK SIZE	JAMBS	HOLLOW TUBE OR SOLID SHAFT	HEADROOM REQUIRED	DEPTH REQUIRED	SIDEROOM REQUIRED	SHAFT CENTERLINE	SPRING CYCLE LIFE	OPERATOR HEADROOM	OPERATOR SIDEROOM		
			WIDTH	HEIGHT													
JOB:																	
CONTR:																	
DISTR:																	
ARCH:																Sheet 1 of 1   BY: _____   Date: _____	