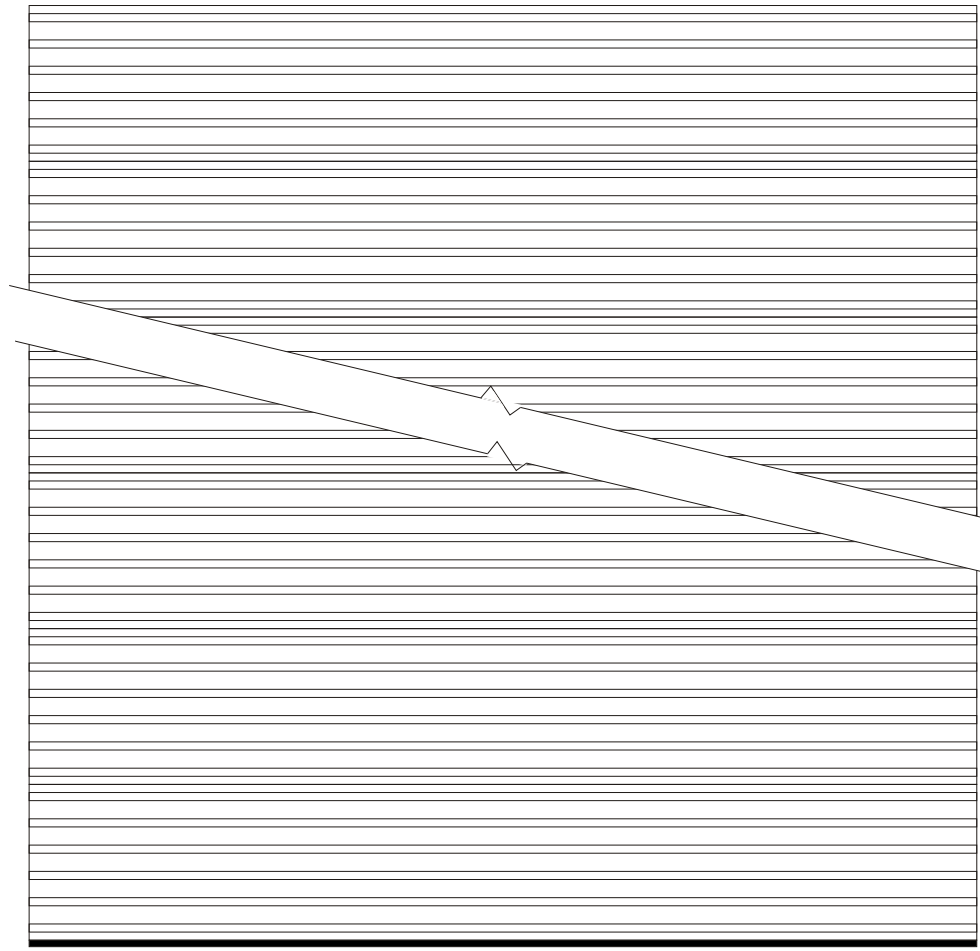
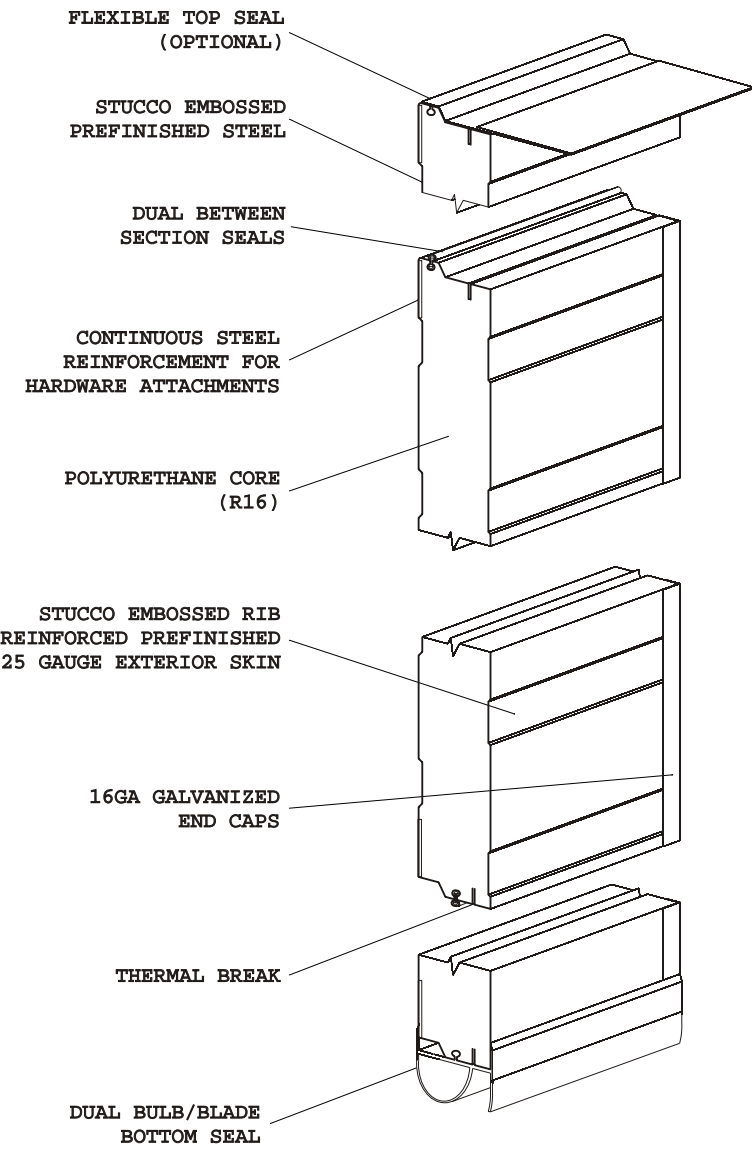
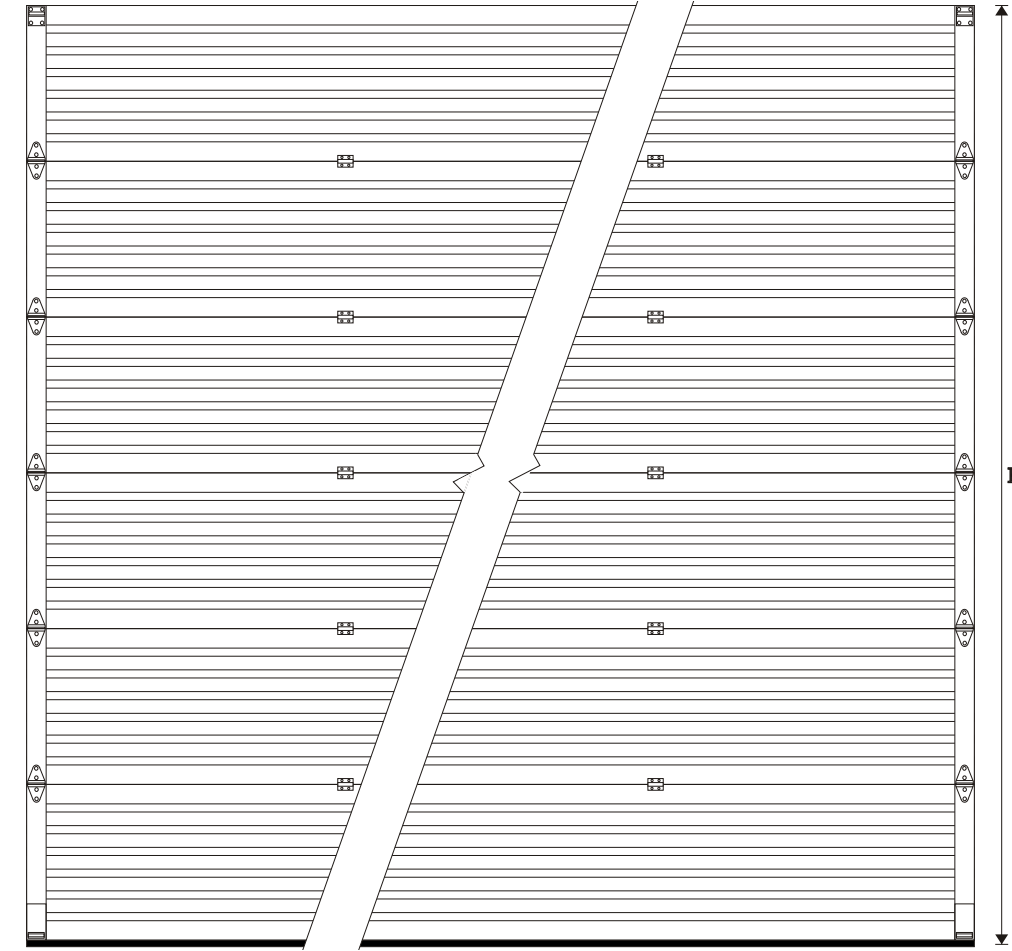


WEATHER BREAKER 175



EXTERIOR ELEVATION



WIDTH

HEIGHT

INTERIOR ELEVATION

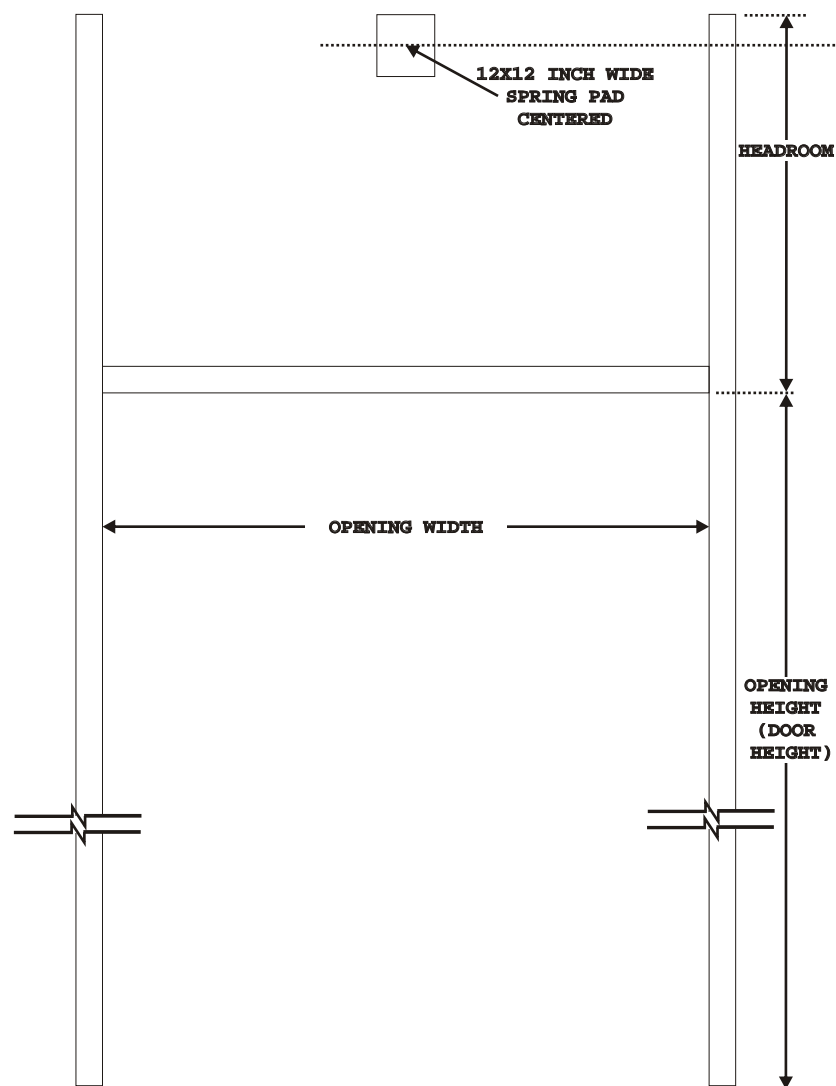
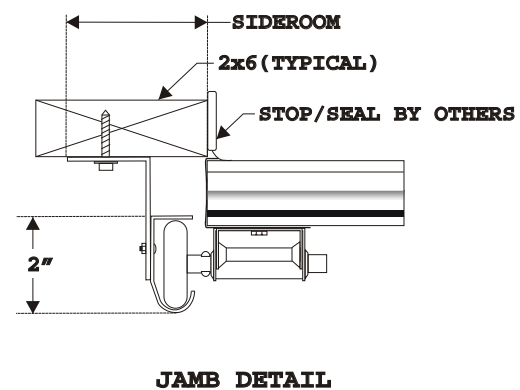
NOTES:

LITE OPTIONS

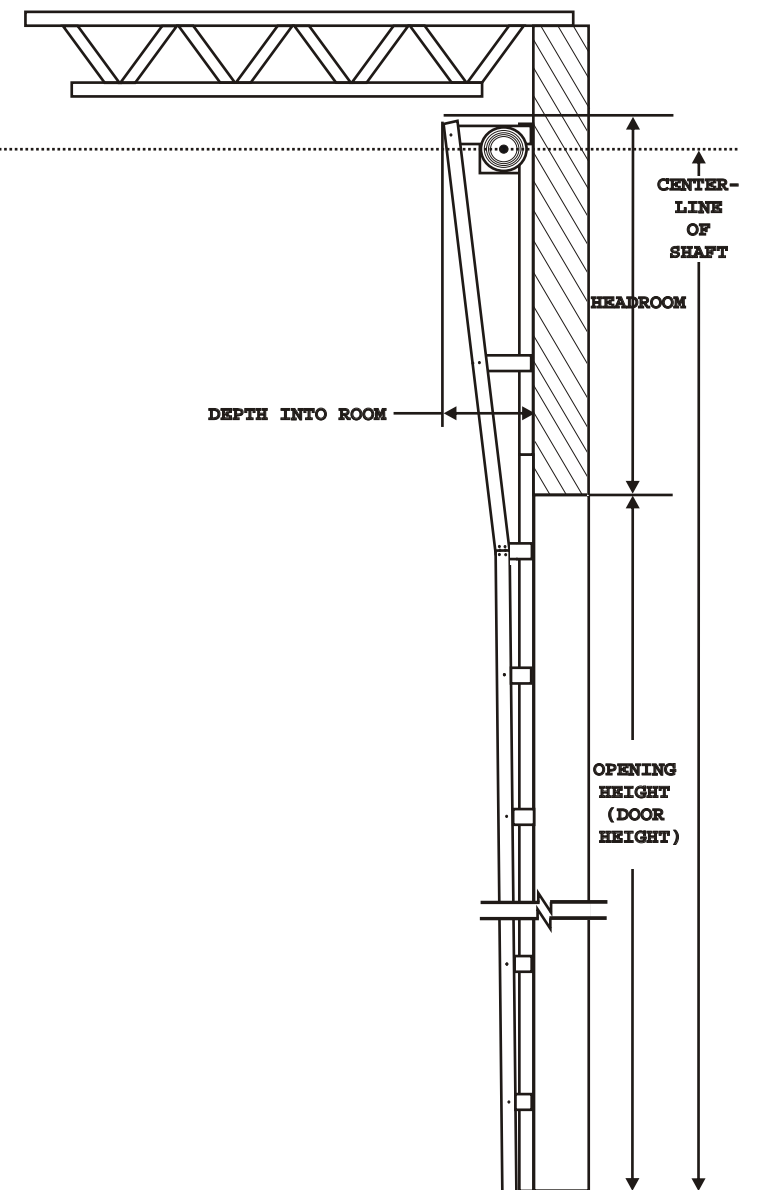


DWG #	DOOR NUMBER	QTY	OPENING SIZE		DOOR SIZE		SECTIONS HIGH	PANELS WIDE	EXTERIOR COLOR	HEAD SEAL	# OF LITES	LITE SIZE	LOCK TYPE
			WIDTH	HEIGHT	WIDTH	HEIGHT							
JOB:													
CONTR:													
DISTR:													
ARCH:													





INTERIOR ELEVATION



SIDE VIEW OF TRACK

NOTES:

DWG #	DOOR NUMBER	QTY	OPENING SIZE		LIFT TYPE	TRACK SIZE	JAMBS	HOLLOW TUBE OR SOLID SHAFT	HEADROOM REQUIRED	DEPTH REQUIRED	SIDEROOM REQUIRED	SHAFT CENTERLINE	SPRING CYCLE LIFE	OPERATOR HEADROOM	OPERATOR SIDEROOM
			WIDTH	HEIGHT											
JOB:															
CONTR:															
DISTR:															
ARCH:															

