

NEWPORT COMMERCIAL SERIES

MODEL NPC138 & NPC200



NPC138
1-3/8" THICK
R-VALUE 12

**CFC/HCFC
FREE
POLYURETHANE
CORE**

NPC200
2" THICK
R-VALUE 18

**HIGH
THERMAL
EFFICIENCY
RATING**

26

**GAUGE
WOODGRAIN
EMBOSSED
STEEL FACE**

COMMERCIAL & INDUSTRIAL OVERHEAD DOORS

Polyurethane Insulated Steel Doors

General Doors Corporation Newport Commercial Series are our most versatile insulated door models. Available in both 1-3/8" thick and 2" thick, these highly energy efficient door systems are ideal for medium sized commercial applications of all types. Sections are built from a continuous foaming process of CFC/HCFC-free polyurethane insulation bonded between steel skins to provide exceptional strength and structural integrity.

Features

- Perfect choice when aesthetics are a key consideration.
- Available in three panel options: Light Ribbed, Flush and Short Raised.
- Continuous reinforcing strip for hardware attachment.
- Thermal break between exterior and interior skins
- High strength to weight ratio.

Specifications	NPC138	NPC200
Door Thickness	1-3/8"	2"
R-Value	12	18
Face Sheet Thickness	26GA	26GA
Steel Embossment	Woodgrain	Woodgrain
Construction Layers	Triple	Triple
Section Joint	Tongue/Groove	Tongue/Groove
Maximum Width	16'- 2"	20'- 2"
Maximum Height	14'- 0"	16'- 0"
Warranty	1 yr. materials/wkshp 5 yr. delamination	1 yr. materials/wkshp 5 yr. delamination



Options

- Exterior operated cylinder lock
- Exhaust ports
- Reinforcing for draw bar operator
- Black PVC recessed step plate/lift handle
- Factory installed top seal
- Extended life torsion springs (25M, 50M, 100M cycle)
- Wind load package available

Color Options



Municipal



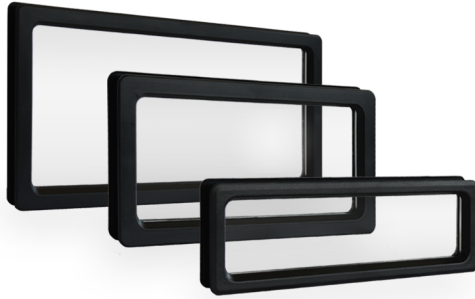
Rural/Agricultural



Lite Options

34" x 16"
24" x 12"
24" x 8"

- Black polymer frame
- Available for Light Ribbed & Flush Panel
- Insulated glass



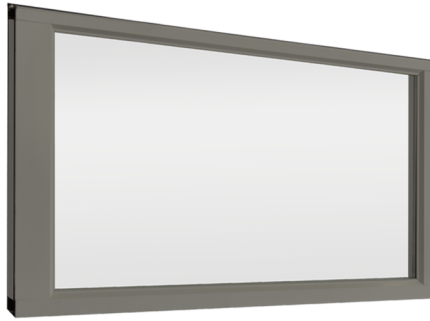
22" x 14"

- Color matched to door
- Available in all panel styles
- Single or insulated glass
- Decorative inserts available



Full View Aluminum
(NPC200 only)

- Color matched to door
- Available in all panel styles
- Multiple glazing options available
Check with factory



Lite Guide

Door Width	Standard No. of lites*	No. of FVA panels
Up to 9'-2"	2	2
9'-3" to 12'-2"	3	3
12'-3" to 16'-2"	4	4
16'-3" to 20'-2"	5	5

*May vary using 34" x 16" lites in special widths. Check with factory.

High Density Polyurethane Core
R-Value 12 (NPC138)
R-Value 18 (NPC200)

Insulated Glass Lites
5 available options

Galvanized steel end caps
for added strength

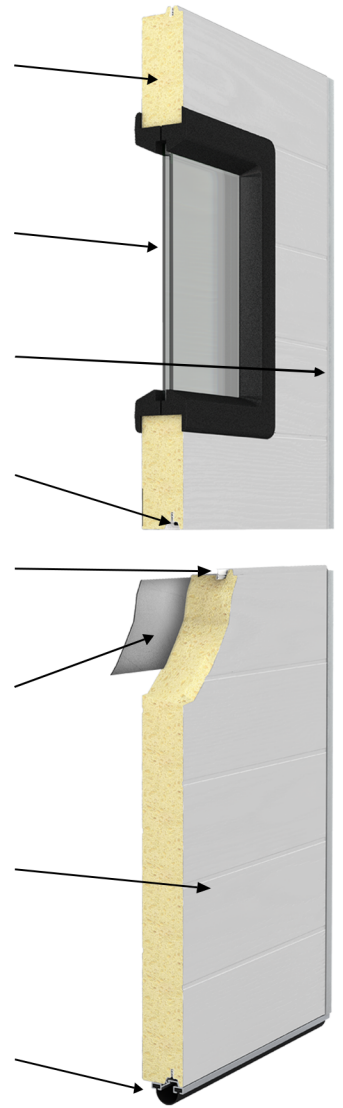
Bulb Seal
prevents air leaks

Thermal Break
prevents heat transfer

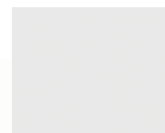
Continuous full width horizontal steel reinforcing strip
for hinge attachment

Pre-painted, hot-dipped galvanized steel sheets, woodgrain embossed with a Light Ribbed pattern
(26 Gauge)

Bulb shaped weatherstrip with continuous retainer
full width of door



Additional Panel Options



Flush



Short Raised

Commercial

Flush Panel
w/ Frosted Full View Section

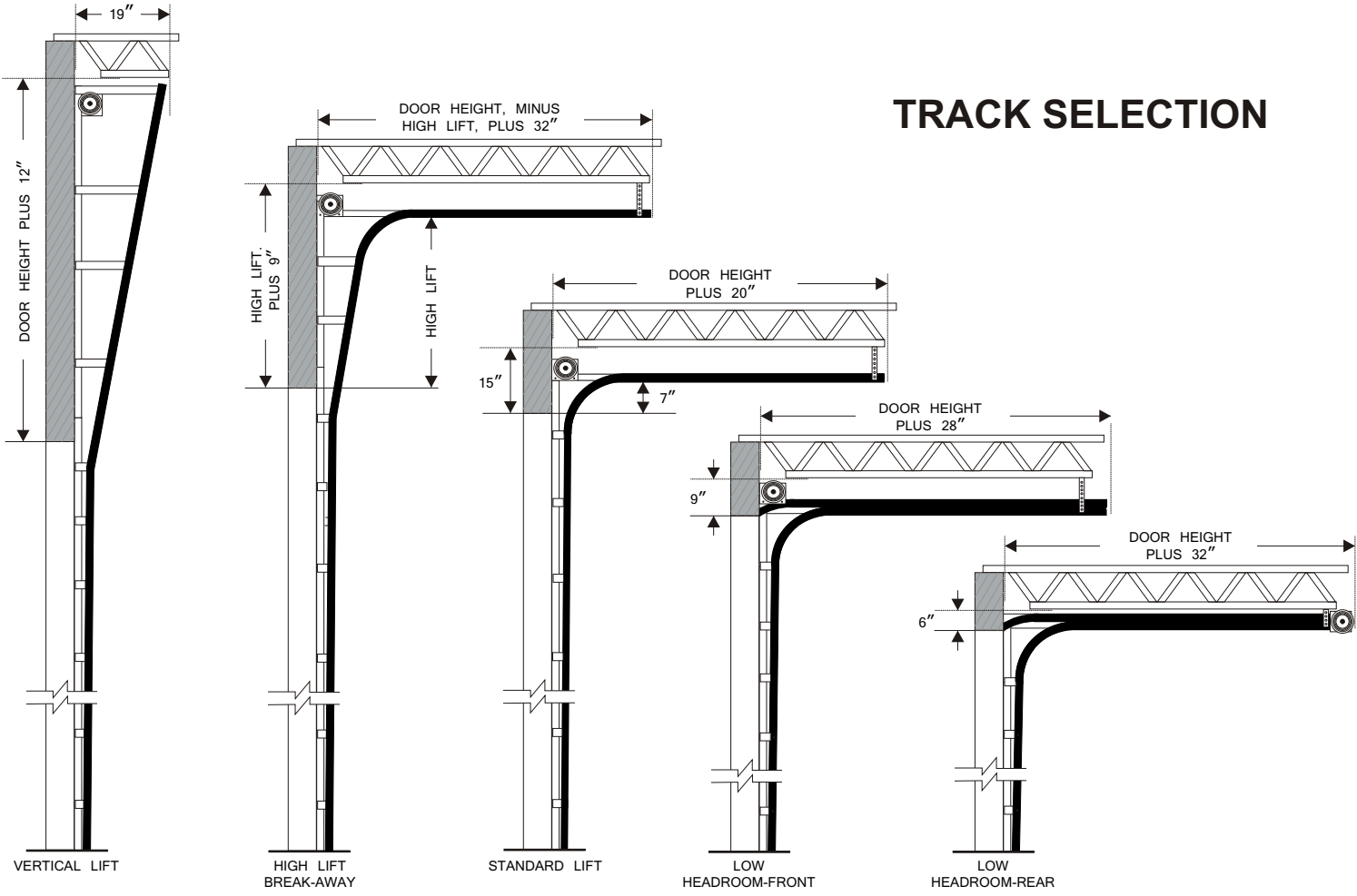


RV/Shop

Raised Panel

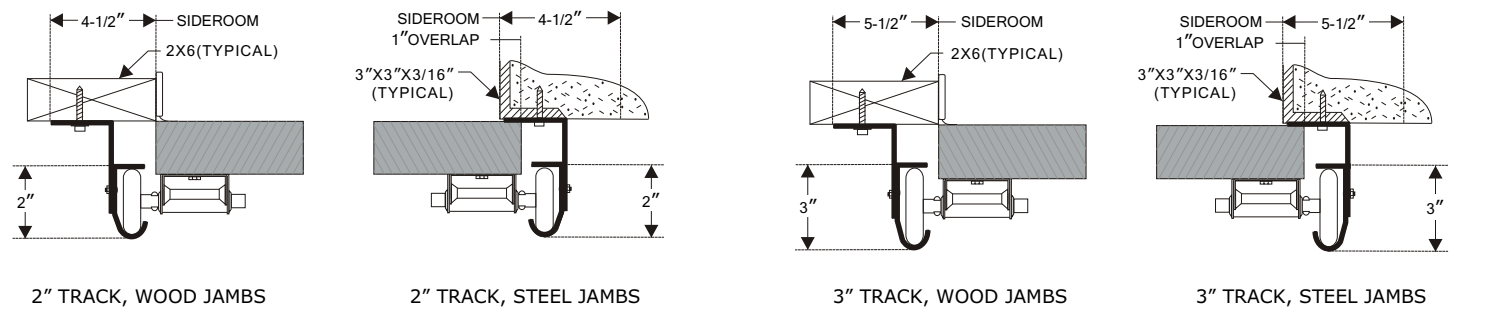


TRACK SELECTION



TYPE OF LIFT	HEADROOM	SIDEROOM	ROOM DEPTH - MANUAL	ROOM DEPTH - MOTOR OPERATED
STANDARD	15"	4-1/2"	DOOR HEIGHT PLUS 20"	DOOR HEIGHT PLUS 48"
HIGH LIFT	HIGH LIFT PLUS 9"	4-1/2"	DOOR HEIGHT LESS HIGH LIFT PLUS 32"	ONLY SIDE MOUNTED CAN BE USED - 24" ONE SIDE
VERTICAL LIFT	DOOR HEIGHT PLUS 12"	4-1/2"	19" INTO ROOM	ONLY SIDE MOUNTED CAN BE USED - 24" ONE SIDE
LOW HEADROOM FRONT(REAR)	9"(6")	6"	DOOR HEIGHT PLUS 28"(32")	DOOR HEIGHT PLUS 60"

*NOTE: CLEARANCES LISTED ABOVE ARE MOST COMMON, LARGER APPLICATIONS MAY REQUIRE ADDITIONAL CLEARANCE. CHECK WITH FACTORY.



Meets or exceeds standards of ANSI/DASMA 102-2011, Specifications for Sectional Doors.

Green Building Benefits

- Optimize energy performance from insulation value
- Recycled content and recyclable material
- Product longevity
- Regional manufacturing (less transportation)

1 Monroe Street
 PO Box 205 Bristol, PA 19007-0205
 215.788.9277 Fax: 215.788.9450
 general-doors.com
 sales@general-doors.com



Your Local Authorized General Doors Distributor:

