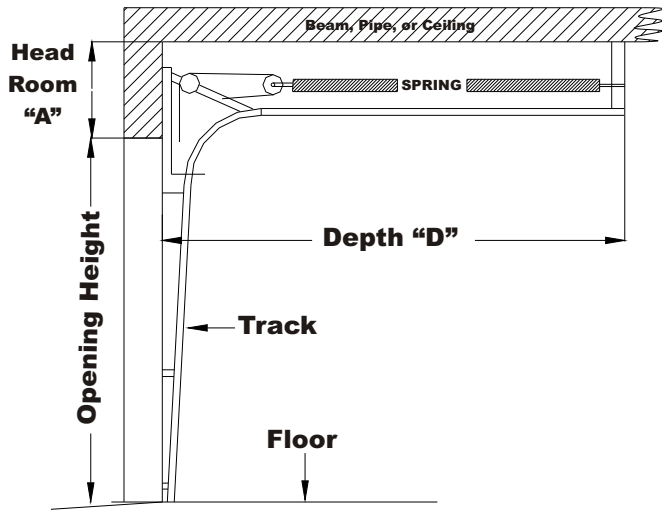
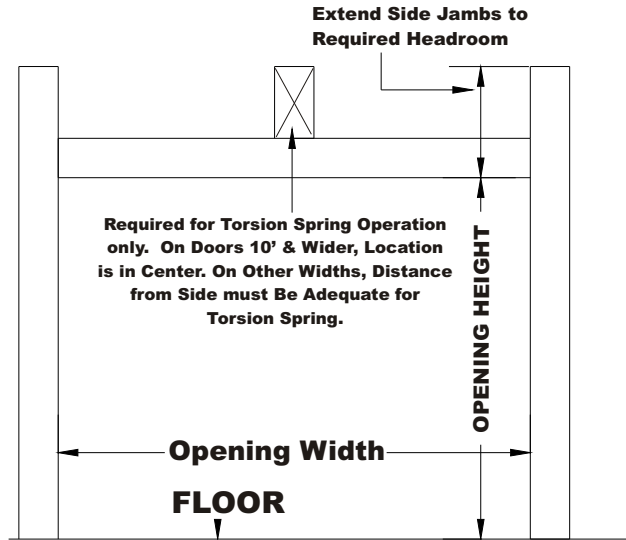


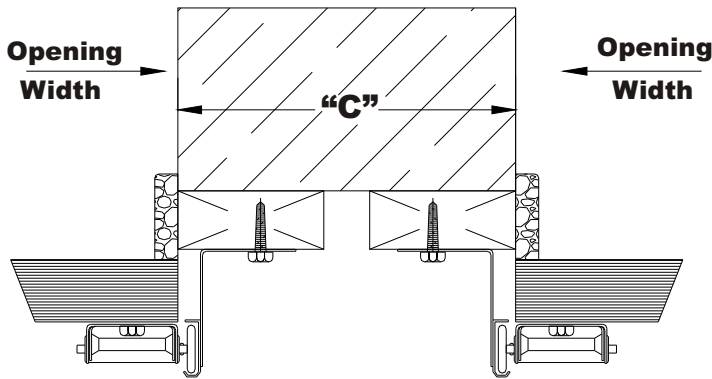
SECTION THROUGH OPENING



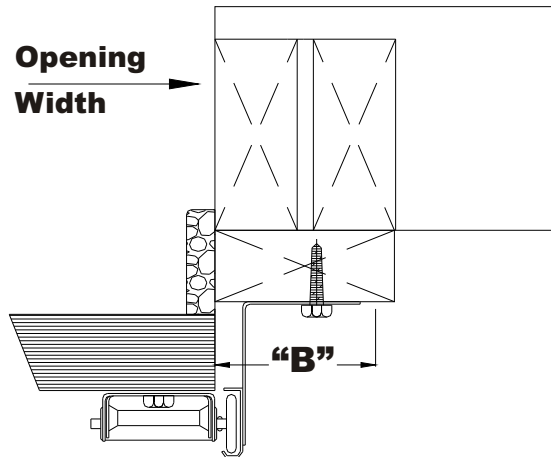
FRAMING DETAIL



CENTER POST



WOOD JAMB



Track Type	Head Room "A"	Side Room "B"	Center Post "C"	Depth "D"
12" Radius	10-1/2"*	3-1/2"	7-1/2"	Opening Height + 14"
15" Radius	12-1/2"*	3-1/2"	7-1/2"	Opening Height + 14"
3" Low Headroom	3"	4-1/2"	9"	Opening Height + 26"
6" Low Headroom	6-1/2"	4-1/2"	9"	Opening Height + 26"

* for Torsion Springs, Add 1-1/2"

GENERAL DOORS
 Manufacturers of Overhead Doors
Corporation

1 Monroe Street • PO Box 205 • Bristol, PA 19007-0205
 215.788.9277 • Fax 215.788.9450